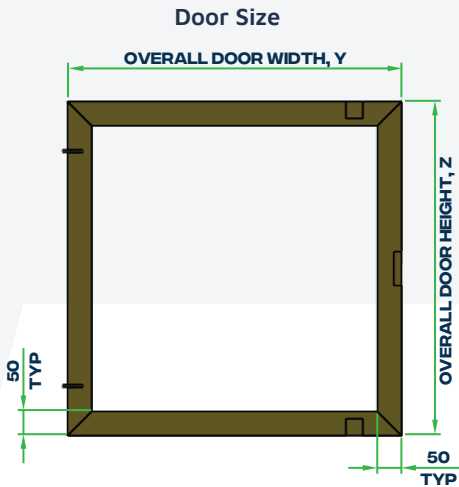


ACCESS & INSPECTION DOOR SPECIFICATIONS



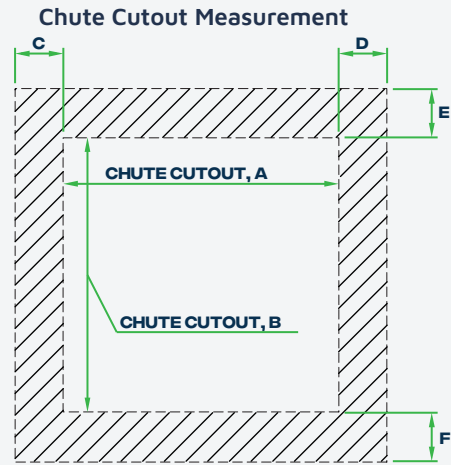
1. Pick one below



Overall Door Dimension :

Y: _____ mm

Z: _____ mm



Chute Cutout:

A: _____ mm

B: _____ mm

Clearance To Nearest Obstruction:

C: _____ mm

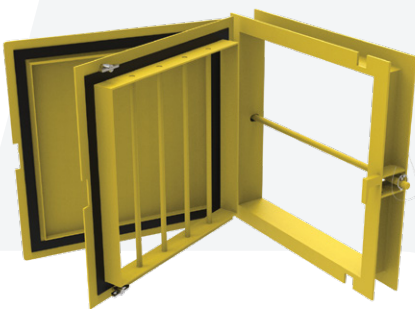
D: _____ mm

E: _____ mm

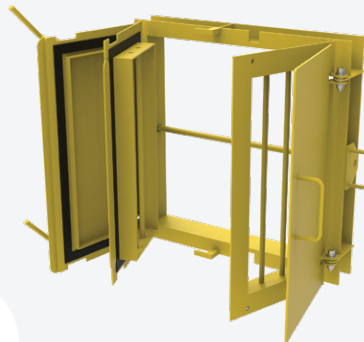
F: _____ mm

**Note: You Can Leave Dimension Fields For Clearance Empty If It Is Greater Than 200mm.*

2. Single or Double Door?



Single



Double Horizontal



Double Vertical

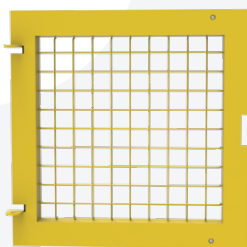
3. Jail Bar / Mesh / Mesh Machine Guarding / Armour?



Jail Bar

Jail Bar + Laser Cut Mesh

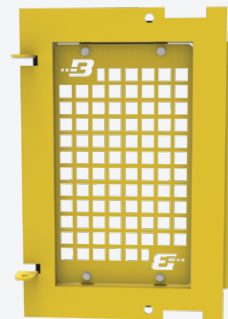
**Note: Laser Cut Mesh (Bolted) Not Shown*



Wire Mesh

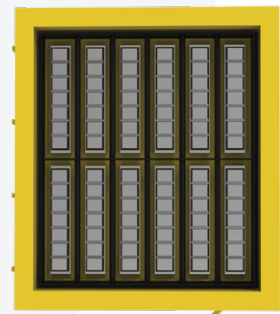
50 x 50 x 4

25 x 25 x 2.5



Mesh Machine Guarding

**Note: Laser Cut Mesh (Bolted)*



Armour Door

**Note: Only Suitable For Jail Bar Doors*



PERTH
(08) 9459 8600

KALGOORLIE
(08) 9021 8300

ADELAIDE
(08) 8231 1513

NEWMAN
(08) 9175 1164

DARWIN
(08) 8963 5621

MOUNT ISA
(07) 4743 6458



sales@bendtechgroup.com.au



bendtechgroup.com.au

BIGGER THAN BUSINESS

4. Specification & Finishing?

Specification:

- LH Hinged
- RH Hinged
- Exclude Safety Rail (Tick To Remove)
- Welded To Chute
- Bolted To Chute



Finishing:

- Y14 Yellow
- HDG
- HDG + Y14 Yellow
- Other _____

5. Handle Type?



Standard



Container Door Lock

6. Danger Signage?



Type 1



Type 2

Other, Please Input Custom Wording For Additional Signage Required (Default Size 200x100):

Type 3

NOTES:

Please specify your requirements in the following section or provide a sketch if the above are unable to meet your needs.



PERTH
(08) 9459 8600
KALGOORLIE
(08) 9021 8300

ADELAIDE
(08) 8231 1513
NEWMAN
(08) 9175 1164

DARWIN
(08) 8963 5621
MOUNT ISA
(07) 4743 6458



sales@bendtechgroup.com.au



bendtechgroup.com.au

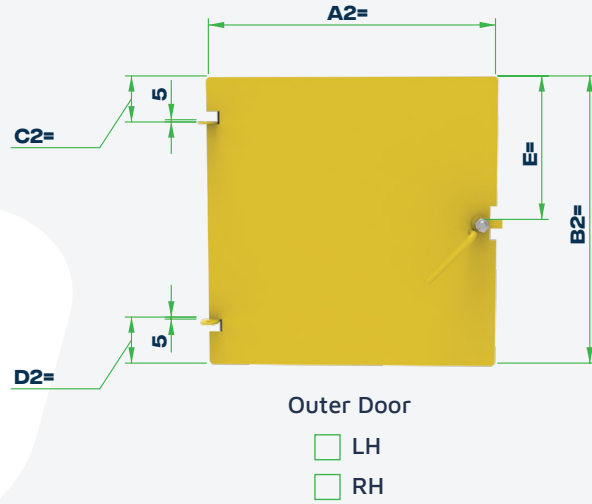
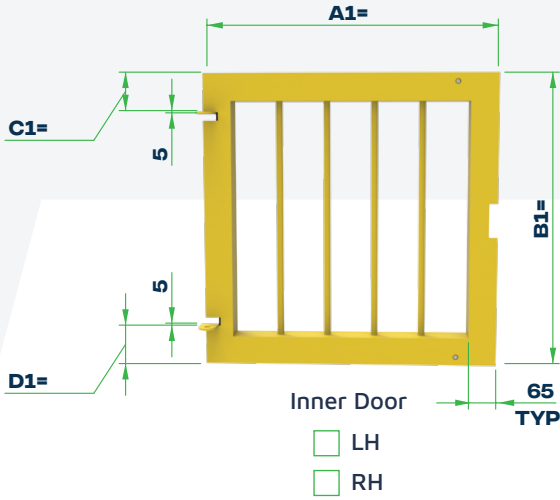
ACCESS & INSPECTION DOOR SPECIFICATIONS



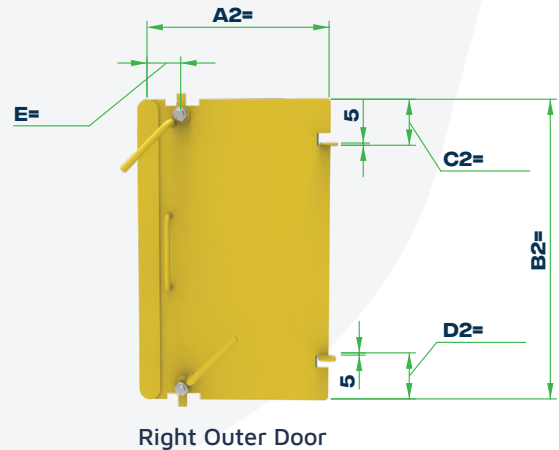
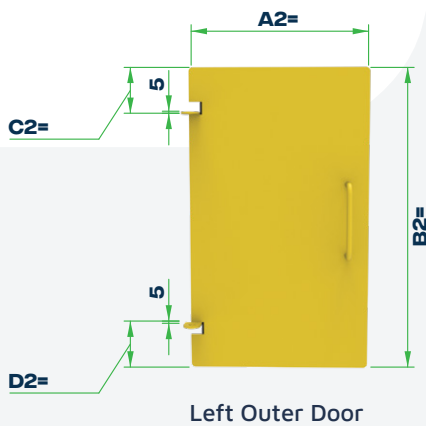
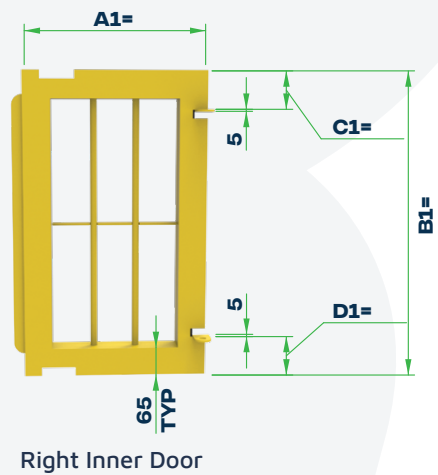
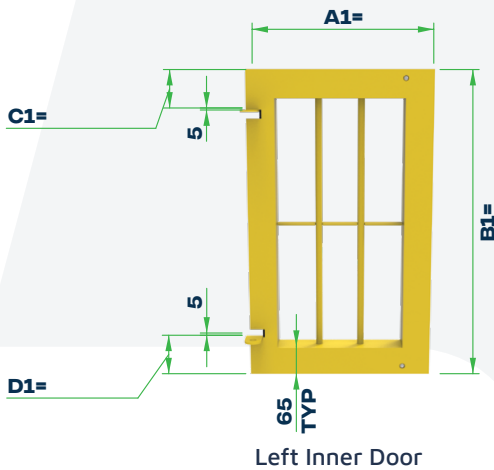
For Outer Door or Inner Door Replacement

Please provide critical dimension below:

Single Door:



Double Door:



PERTH
(08) 9459 8600
KALGOORLIE
(08) 9021 8300

ADELAIDE
(08) 8231 1513
NEWMAN
(08) 9175 1164

DARWIN
(08) 8963 5621
MOUNT ISA
(07) 4743 6458



sales@bendtechgroup.com.au



bendtechgroup.com.au

BIGGER THAN BUSINESS